

Product Specification Sheet Fresco LED Wall Washer



The Fresco LED WallWasher is a specialist lighting tool for display, art gallery, museum and commercial lighting applications.

Providing an even wash of light, the Fresco LED Wall Washer is the ideal wall washer or subject flood.

Fresco Range updated to latest generation LED Engines, August 2022.

Features

The body is engineered from a combination of aluminium pressure die castings. All power cables are internal to mount and body.

Visually smooth asymmetric beam. Fully blended light source – no fringing.

Latest generation of LED engine (Gen 7) and precision designed reflector are recessed into the luminaire housing for best glare control commensurate with the beam angles provided. Gen 7 LED engine provides 10% increase in light output.

Minimal power consumption (17W) and lower maintenance requirement than traditional halogen sources.

Passively cooled – no fans for silent operation

Positive, precise pan and tilt adjustment with allen lock off. Reference scales to record/ duplicate focus position.

Four flap barndoors on pivots to shape / mask the light beam, available to match luminaire colour or with the flap interior finished in black.

Selecon's five-year warranty.

Approvals



Mounting Options

Universal track three circuit track adapter, Global and Eutrac. DALI Track Options.

Ceiling rose mount, ridged 80mm Ø x 20mm deep.

50mm half coupler and 1.0m cable tail, with or without ANZ plug



Ceiling rose mount

Track adapter

Power Supply Options

Local Dimming - non dimmed mains supply.

Dali Dimming – non dimmed mains supply.

CASAMBI - Non dimmed mains supply.

Mains Dimmable- Leading Trailing Edge.

Wattage / Power Supply

17W / 240v (2190 Lumens)

Colour Temperature / Life

3000K / 50,000hrs

CRI / Colour Consistency

95 / Within 3-Step MacAdam Ellipse

Colour Finish

White = PANTONE® 11-4800
Blanc de Blanc



Black

White

Order Codes

2 – 2190 lumens

LD – Local Dim – non-dimmed mains input

MD - Mains Dimmable-Leading or Trailing Edge-Contact your consultant.

DD – Dali Dim – non-dimmed mains input (*not available with Ceiling Rose, Half Coupler, or Flex mount*)

CA - CASAMBI Dimming Control

H – 50mm Half coupler and 1.0m cable

C – Ceiling Rose

G – Global track adaptor – standard option for track mount. Dali or local control

T – Eutrack adaptor – standard option for track mount. Dali or local control.

E – eDali Track adaptor – custom adaptor for three circuit track – for installations using Dali on standard track. Please contact your sales representative.

01–White

03–Black

P – Aust / NZ plug

Product Family	Light Source	Lumen Output	Control	Mounting	Paint Finish	Plug
FRS	LED	2	LD	H	01	P
			DD*	C	03	
			CA	G		
			MD	T		
				F		
				E		

IE : FRSLED2LDG01 = Fresco LED Wall Washer, 2000 lumens, Local Dimming,
Global Track adaptor, White Finish

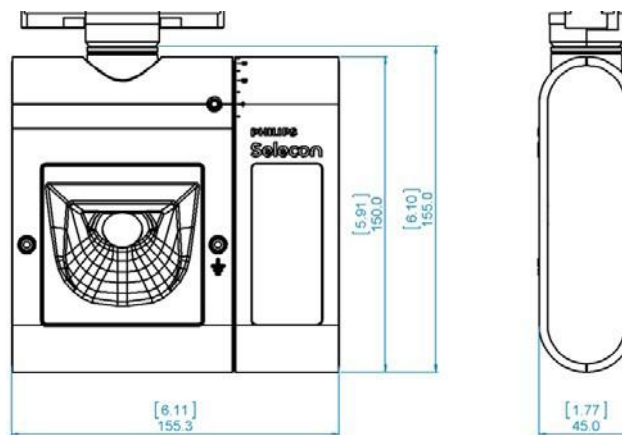
* *DALI Dimming version only available with Track adaptor Mounting (T,G,E)*

Accessories Codes

FRSLEDBD01 White Fresco Wall Washer Barndoor
FRSLEDBD03 Black Fresco Wall Washer Barndoor

Physical Data

Weight: 1.2 Kgs



Selecon reserves the right to change this product specification without notice (October 2022).

Selecon

Product Specification Sheet Selecon Display LED Profile



The Selecon Display LED Profile delivers accurate shaping of the beam and precise pattern / logo projection.

A sophisticated lighting instrument of timeless appearance.

The Display LED Profile delivers on Selecon's brand promise for performance (efficient optical system; high quality pattern projections); precision (accurate beam shaping; locking focus adjustments) and simplicity (intuitive operation).

Allen key lock offs and reference scales for all adjustments offers the means to effectively assure the integrity of the original lighting design.

Colours



White - PANTONE® 11-4800 - Blanc de Blanc.

Weight - 2.94 kgs

Features

High light output for a LED luminaire of this size.

Condenser optics provide a very flat beam distribution ideal for pattern projection and precise illumination.

Engineered from precision aluminium pressure die-castings.

Two zoom optical systems: 16°–35° and 30°–50°.

All adjustable parameters are lockable using allen key tool, including:

- Pan and tilt
- Rotatable lens tube - +/- 45°
- Zoom lens adjustments

Reference scales for all adjustments.

Internal pattern holder with external image alignment.

Shutters can be locked in position.

Two front accessory slots for 93mm diameter coloured and UV glass filters; plastic filter holder.

User made transparency film gobos can be used.

Comes with Selecon's five year warranty.

Mounting Options

Universal track three circuit track adapter, Global & Eutrac. DALI Track Options.

Ceiling rose mount, ridged 80mm diameter x 20mm deep.

Half Coupler with 1.0m cable tail, with or without ANZ Plug



Control Options

Local Dimming - non dimmed mains supply.

Dali Dimming – non dimmed mains supply.

CASAMBI - non dimmed mains supply.

Mains Dimmable-Leading and trailing edge.

Wattage / Power Supply

41W / 220 – 240V

Colour Temperature / Life¹

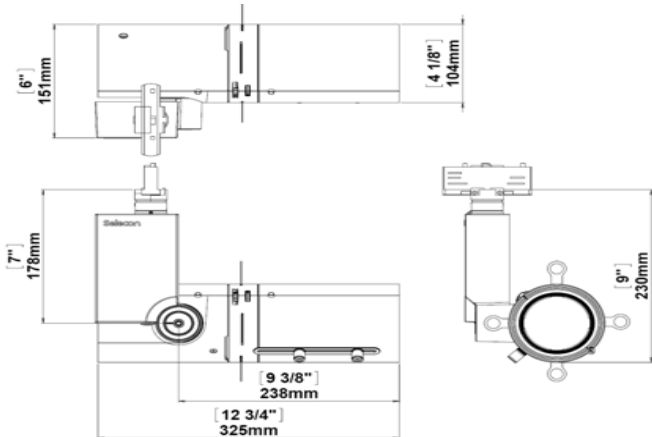
Choice of 2700K, 3000K, or 4000K / 50,000hrs

CRI² / Colour Consistency
98 typical, Within 2-Step MacAdam Ellipse

Approvals

CE and C-Tick.

Physical Data



Order Codes

SDP – family name

LED – Light source

2 – 2700 K Colour Temperature

3 – 3000 K Colour Temperature

4 – 4000 K Colour Temperature

M – medium 16-35° beam angle range

W – wide 30-50° beam angle range

LD – Local Dim – non-dimmed mains input

DD – Dali Dim – non-dimmed mains input (*not available with Ceiling Rose, Half Coupler, or Flex mount*)

MD – Mains Dimmable (Leading and Trailing Edge) Pls check compatibility.

CA - CASAMBI Dimming Control

H – 50mm Half coupler and 1.0m cable

C – Ceiling Rose

G – Global track Adaptor – standard option for track mount. Dali or local control

T – Eutrack track adaptor – non-standard option for track mount. Dali or local control

E – eDali track adaptor – custom adaptor for three circuit track – for installations using Dali on standard track. Please contact your sales representative.

01 – White

03 – Black

P – Aust / NZ plug

Family Name	Light Source	Colour Temp	Beam Angle	Control Option	Mounting Option	Paint Finish	Aust/NZ Plug
SDP	LED	2	M	DD*	H	01	P
		3	W	LD	C	03	
		4		CA	G		
				MD	T		
					E		

IE: SDPLED3WLDG03 = SDPLED Profile, 3000K, Wide (30-50°), Local Dimming, Global Track Adaptor , Black Finish.

*** DALI Dimming version only available with Track adaptor Mounting (T,G,E)**

Accessories

SDPCF Colour frame for plastic filters.
SDPGOBOASSY Spare pattern holder - complete two piece assembly.
SDPSDG Medium diffusion glass.

Pattern size: E
Outside diameter: 37.5cm
Image area: 28mm

To achieve the best results with your pattern projection:
- always use black matt finish patterns as these reduce internal light reflections.
- for custom / text logos please ensure the design is inside the 28mm diameter area.

Selecon reserves the right to change this product specification without notice (October 2022).

Product Specification Sheet

Accent LED High Power BeamSpot



The Selecon Accent High Power LED Beamspot is a specialist lighting tool for display, art gallery, museum and commercial lighting applications.

Utilising high quality fixed white LED source, the luminaire provides excellent light control and features.

With several accessories available, including Beam shaper Module, Barndoor and Snoot, the Accent HP Beamspot retains the versatility that made the Aureol Beamspot a global industry standard for display lighting applications.

The Accent Beamspot delivers on Selecon's brand promise for performance (efficient optical system), precision (accurate beam shaping, locking focus adjustments), and simplicity (intuitive operation).

Features

LED-Fixed optical system: 10°, filters to adjust beam angles. Beamshaper module to allow framing.

High CRI fixed white delivers excellent colour rendering.

Hinged opening body for easy cleaning and tool free accessory mounting.

Superior glare control and no light spill.

Multiple accessory slots with safety retention system.

Engineered from aluminium pressure die castings and injected moulded engineering plastic.

Positive pan and tilt adjustment, with Allen key lock off.

Reference scales for pan/tilt adjustments.

Integrated accessory and filter mounting slots – to carry colour filter 50mm round, one of which can be up to 4mm thick, diffuser, anti-glare snoot, barn-door and Beamshaper Module.

Five year limited warranty.

Colours



White - PANTONE® 11-4800 - Blanc de Blanc.

Mounting Options

Universal track three circuit track adapter, Global or Eutrac. DALI Track Options.

Ceiling rose mount, ridged 80mm diameter x 20mm deep.

Half coupler with 1.0m cable tail, with or without ANZ plug.



Ceiling rose mount



Track adapter



Half Coupler

Control Options

- Local Dimming – non dimmed mains supply.
- Dali Dimming – non dimmed mains supply.
- CASAMBI Dimming Control.
- Dimming performance of LED Sources can vary greatly on different dimming systems. 100% compatibility cannot be guaranteed.

Wattage / Power Supply

20W / 220-240V

Colour Temperature / Life¹

Choice of 2700K, 3000K, or 4000K / 50,000hrs

CRI² / Colour Consistency

98 typical, Within 2-Step MacAdam Ellipse

Approvals



Order Codes

2 – 2700K

3 – 3000K

4 – 4000K

1 – 10 Degree

LD – Local Dim – non-dimmed mains input

DD – Dali Dim – non-dimmed mains input *(not available with Ceiling Rose, Half Coupler, or Flex mount)*

CA - CASAMBI Dimming Control

H – 50mm Halfcoupler and 1.0m cable

C – Ceiling Rose

G – Global track adaptor – standard option for track mount. Dali or local control

T – Eutrack adaptor – non-standard option for track mount. Dali or local control.

E – eDali Track adaptor – custom adaptor for three circuit track – for installations using Dali on standard track. Please contact your sales representative.

01 – White

03 – Black

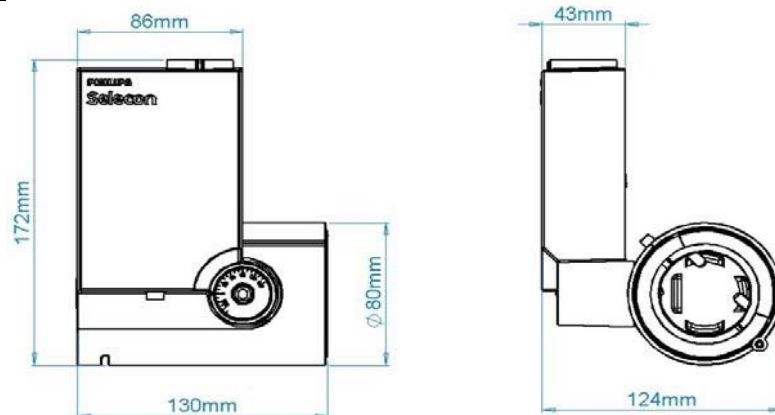
P – Aust / NZ plug

Family Name	Light Source	Colour Temp	Beam Angle	Control Option	Mounting Option	Paint Finish	Aust/NZ Plug
ACNT	LEDHP	2		LD	H	01	P
		3		CA	C	03	
		4		DD	T		
					G		
					E		
					F		

IE: ACNTLEDHP3LDG01 = Accent LED HP 3000K 10° Spot, Local Dimming, Global Tack Adaptor , White Finish

Physical Data

Weight: 1.1kg



Accessories

Beamshaper Module ACNTLEDBS**

Barndoor ARLBD****

Snoot ARLSN****01 for White, 03 for Black, 0103 for Black/White

1. Based on LED Manufacturers IES LM-80-2008
2. LED manufacturer tolerance of +2 on CRI measurements

Product Specification Sheet

Accent LED BeamSpot



The Selecon Accent LED Beamspot is a specialist lighting tool for display, art gallery, museum and commercial lighting applications.

Utilising high quality fixed white LED sources, the luminaire provides excellent light control and features.

With several accessories available, and a choice of beam angles and colour temperatures, the Accent LED retains the versatility that made the Aureol Beamspot a global industry standard for display lighting applications.

The Accent Beamspot delivers on Selecon's brand promise for performance (efficient optical system), precision (accurate beam shaping, locking focus adjustments), and simplicity (intuitive operation).

Features

LED-Three fixed optical systems: 26°, 34°, and 42°.

High CRI fixed white delivers excellent colour rendering.

Hinged opening body for easy cleaning and tool free accessory mounting.

Superior glare control and no light spill.

Multiple accessory slots with safety retention system.

Engineered from aluminium pressure die castings and injected moulded engineering plastic.

Positive pan and tilt adjustment, with Allen key lock off.

Reference scales for pan/tilt adjustments.

Integrated accessory and filter mounting slots – to carry colour filter 50mm round, one of which can be up to 4mm thick, diffuser, anti-glare snoot, or barn-door.

Five year limited warranty.

Colours



Black

White

White - PANTONE® 11-4800 - Blanc de Blanc.

Mounting Options

Universal track three circuit track adapter, Global or Eutrac. DALI Track Options.

Ceiling rose mount, ridged 80mm diameter x 20mm deep.

Half coupler with 1.0m cable tail, with or without ANZ plug.



Ceiling rose mount



Track adapter



Half Coupler

Control Options

- Local Dimming – non dimmed mains supply.
- Dali Dimming – non dimmed mains supply.
- CASAMBI Dimming Control.
- Mains Dimmable-Leading & Trailing edge.
- Dimming performance of LED Sources can vary greatly on different dimming systems. 100% compatibility cannot be guaranteed.

Wattage / Power Supply

13W / 220-240V

Colour Temperature / Life¹

Choice of 2700K, 3000K, or 4000K / 50,000hrs

CRI² / Colour Consistency

98 typical, Within 2-Step MacAdam Ellipse

Approvals



Order Codes

2 – 2700K

3 – 3000K

4 – 4000K

2 – 26 Degree

3 - 34 Degree

4 – 42 Degree

LD – Local Dim – non-dimmed mains input

MD- Mains Dimmable- Leading & trailing edge. Consult sales representative.

DD – Dali Dim – non-dimmed mains input *(not available with Ceiling Rose, Half Coupler, or Flex mount)*

CA - CASAMBI Dimming Control

H – 50mm Halfcoupler and 1.0m cable

C – Ceiling Rose

G – Global track adaptor – standard option for track mount. Dali or local control

T – Eutrack adaptor – non-standard option for track mount. Dali or local control.

E – eDali Track adaptor – custom adaptor for three circuit track – for installations using Dali on standard track. Please contact your sales representative.

01 – White

03 – Black

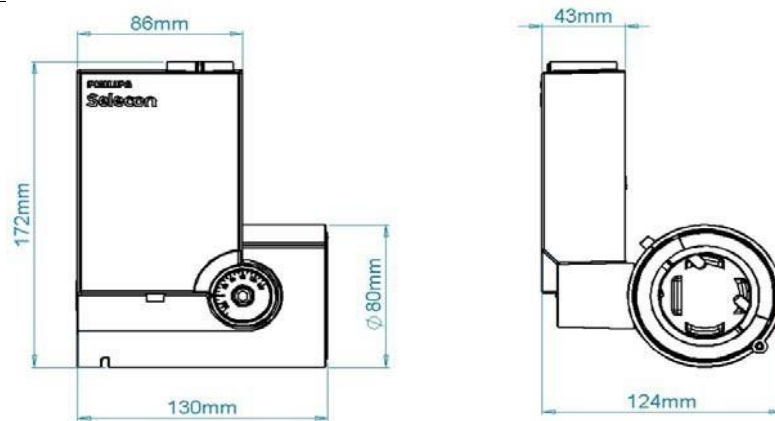
P – Aust / NZ plug

Family Name	Light Source	Colour Temp	Beam Angle	Control Option	Mounting Option	Paint Finish	Aust/NZ Plug
ACNT	LED	2	2	LD	H	01	P
		3	3	CA	C	03	
		4	4	DD	T		
				MD	G		
					E		
					F		

IE: ACNTLED34DDG01 = Accent LED 3000K 42° Spot, Dali Dimming, Global Tack Adaptor , White Finish

Physical Data

Weight: 1.1kg



Accessories

Barndoor
Snoot

ARLBD****

ARLSN****01 for White, 03 for Black, 0103 for Black/White

1. Based on LED Manufacturers IES LM-80-2008
2. LED manufacturer tolerance of +2 on CRI measurements

Selecon reserves the right to change this product specification without notice (October 2022).

Product Specification Sheet

Accent MR16 LED BeamSpot



The Selecon Accent MR16 LED Beamspot is a specialist lighting tool for display, art gallery, museum and commercial lighting

applications. Utilising high quality MR16 white LED sources, the luminaire provides excellent light control and features.

Available accessories include, Beamshaper Module / Framing module (reduce inventory), Snoot and Barndoor, the Accent MR16 LED retains the versatility that made the Aureol Beamspot a global industry standard for display and gallery lighting applications.

The Accent Beamspot delivers on Selecon's brand promise for performance (efficient optical system), precision (accurate beam shaping, locking focus adjustments), and simplicity (intuitive operation).

Features

MR16 LED Lamps-Four fixed beam angles: 10°, 24°, 36° and 60°. Not included.

Accent MR16 Beamshaper Module (framing accessory) can be added as option. Reduce Inventory 2 in 1 fitting.

Hinged opening body for easy cleaning and tool free accessory mounting.

Superior glare control and no light spill.

Multiple accessory slots with safety retention system.

Engineered from aluminium pressure die castings and injected moulded engineering plastic.

Positive pan and tilt adjustment, with Allen key lock off.

Reference scales for pan/tilt adjustments.

Integrated accessory and filter mounting slots – to carry colour filter 50mm round, one of which can be up to 4mm thick, diffuser ,anti-glare snoot, barn-door and Beamshaper Module.

Five year limited warranty.

Colours



White - PANTONE® 11-4800 - Blanc de Blanc.

Mounting Options

Universal track three circuit track adapter, Global or Eutrac. DALI Track Options.

Ceiling rose mount, ridged 80mm diameter x 20mm deep.

Half coupler with 1.0m cable tail, with or without ANZ plug.



Ceiling rose mount



Track adapter



Half Coupler

Control Options

- Local Dimming – non dimmed mains supply.
- DALI Dimming-Non dimmed mains supply
- Mains Dimmable- Leading & trailing edge.
- CASAMBI Dimming Control.
- Dimming performance of LED Sources can vary greatly on different dimming systems. 100% compatibility cannot be guaranteed.

Wattage / Power Supply

2-10W / 220-240V

Colour Temperature / Life¹

Choice of 2700K, 3000K, or 4000K / 40,000hrs

CRI² / Colour Consistency

97 typical, Within 2-Step MacAdam Ellipse

Approvals



Order Codes

MR - MR16 LED

LD – Local Dim – non-dimmed mains input

DD – Dali Dim – non-dimmed mains input *(not available with Ceiling Rose, Half Coupler, or Flex mount)*

MD- Mins Dimmable-Leading and trailing edge. Contact your sales representative.

CA - CASAMBI Dimming Control

H – 50mm Halfcoupler and 1.0m cable

C – Ceiling Rose

G – Global track adaptor – standard 3cct or DALI options for track mount.

T – Eutrack track adaptor – standard 3CCT or DALI option for track mount.

E – eDali Track adaptor – custom adaptor for three circuit track – for installations using Dali on standard track. Please contact your sales representative.

01–White

03 – Black

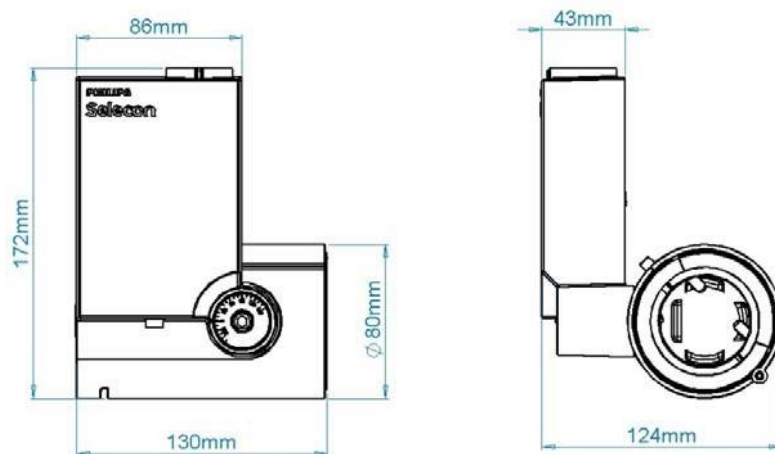
P – Aust / NZ plug

Family Name	Light Source	Colour Temp	Beam Angle	Control Option	Mounting Option	Paint Finish	Aust/NZ Plug
ACNT	MR	LED		LD	H	01	P
				CA	C	03	
				MD	T		
				DD	G		
					E		

IE: ACNTMRLEDLDG01 = Accent LED MR16 Spot, Local Dimming, Global Track Adaptor , White Finish MR16 Lamp Ordered Separately.

Physical Data

Weight: 1.1kg



Accessories

Beamshaper Module ACNTLEDBS** Turns a Beamspot into a Beamshaper fitting.

Barndoor ARLBD****

Snoot ARLSN**** 01 for White, 03 for Black, 0103 for Black/White

1. Based on LED Manufacturers IES LM-80-2008
2. LED manufacturer tolerance of +2 on CRI measurements

Selecon reserves the right to change this product specification without notice (October 2022).

Product Specification Sheet

Accent High Power LED Beamshaper



The Selecon Accent High Power LED Beamshaper is a world class framing projector, delivering accurate shaping of the beam for display, art gallery and museum lighting applications.

A sophisticated lighting instrument of timeless appearance.

The Accent HP LED BeamShaper delivers on Selecon's brand promise for performance (efficient optical system; high quality pattern projections); precision (accurate beam shaping; locking focus adjustments) and simplicity (intuitive operation).

Allen key lock offs and reference scales for all adjustments offers the means to effectively assure the integrity of the original lighting design.

Features

- High quality zoom optical system (24° - 39°).
- High CRI fixed white delivers excellent colour rendering.
- Improved beam control and zoom adjustment.
- Reference scales for pan/tilt and zoom adjustments.
- Can operate as Beamspot / Beamshaper. Beamshaper module can be removed.

- Easy mount E size pattern holder included with every luminaire.
- Superior glare control and no light spill.
- Four captive shaping shutters with integrated shutter lock system.
- Hinged opening body for easy cleaning of lenses.
- Multiple/integrated accessory and filter mounting slots – to carry colour filter 50mm round, one of which can be up to 4mm thick..
- Engineered from precision aluminium pressure die-castings and injection moulded engineering plastic.
- Five year limited warranty.

Colours



White - PANTONE® 11-4800 - Blanc de Blanc.

Mounting options

- Universal track three circuit track adapter, Eutrac and Global. DALI Track Options.
- Ceiling rose mount, ridged 80mm diameter x 20mm deep.
- Half Coupler for 50mm OD pipe, 1.0m cable tail, with or without ANZ plug.



Ceiling rose mount Track Adapter



Half Coupler

Control Options

- Local Dimming – non dimmed mains supply.
 - Dali Dimming – non dimmed mains supply.
 - Casambi Dimming Control.
- Dimming performance of LED Sources can vary greatly on different dimming systems. 100% compatibility cannot be guaranteed.

Wattage / Power Supply

20W / 220-240V

Colour Temperature / Life¹

Choice of 2700K, 3000K, or 4000K / 50,000hrs

CRI² / Colour Consistency

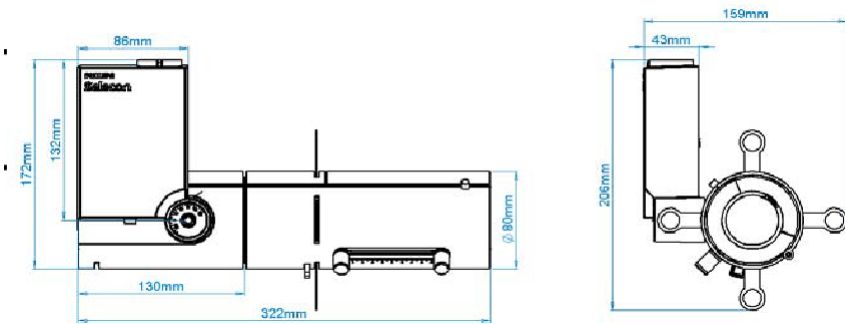
98 typical, Within 2-Step MacAdam Ellipse

Approvals



Physical Data

Weight: 1.95 kg



Order Codes

2 – 2700K
3 – 3000K
4 – 4000K

Family Name	Light Source	Colour Temp	Beam Angle	Control Option	Mounting Option	Paint Finish	Aust/NZ Plug
ACNT	LEDHP	2	BS	DD*	H	01	P
		3		LD	C	03	
		4			T		
				CA	G		
					E		
					F		

LD – Local Dim – non-dimmed mains input

DD – Dali Dim – non-dimmed mains input (not available with Ceiling Rose, Half Coupler, or Flex mount)

CA - CASAMBI Dimming Control

H – 50mm half coupler and 1.0m cable

C – Ceiling Rose

G – Global track adaptor – standard option for track mount. Dali or local control

T – Eutrack adaptor – non-standard option for track mount. Dali or local control.

E – eDali Track adaptor – custom adaptor for three circuit track – for installations using Dali on standard track. Please contact your sales representative.

01 – White

03 – Black

P – Aust / NZ plug

IE: ACNTLEDHP3BSLDG03 = Accent HP LED Beamshaper, 3000K, Local Dimming, Global Track Adaptor, Black Finish.

* **DALI Dimming version only available with Track adaptor Mounting (T,G,E)**

Accessories

Various glass effects and coloured glass can be used with the Accent HP LED Beamshaper. Please contact your Selecon dealer for full details.

Pattern size: E

Outside diameter: 37.5cm

Image area: 28mm

To achieve the best results with your pattern projection:

- always use black matt finish patterns as these reduce internal light reflections.
- for custom / text logos please ensure the design is inside the 28mm diameter area.

1. Based on LED Manufacturers IES LM-80-2008
2. LED manufacturer tolerance of +2 on CRI measurements

Selecon reserves the right to change this product specification without notice (October 2022).

Product Specification Sheet

Accent LED Beamshaper



The Selecon Accent LED Beamshaper is a world class framing projector, delivering accurate shaping of the beam for display, art gallery and museum lighting applications.

A sophisticated lighting instrument of timeless appearance.

The Accent LED BeamShaper delivers on Selecon's brand promise for performance (efficient optical system; high quality pattern projections); precision (accurate beam shaping; locking focus adjustments) and simplicity (intuitive operation).

Allen key lock offs and reference scales for all adjustments offers the means to effectively assure the integrity of the original lighting design.

Features

- High quality zoom optical system (24° - 39°).
- High CRI fixed white delivers excellent colour rendering.
- Improved beam control and zoom adjustment.
- Reference scales for pan/tilt and zoom adjustments.
- Improved gobo installation and projection.
- Easy mount E size pattern holder included with every luminaire.
- Superior glare control and no light spill.
- Four captive shaping shutters with integrated shutter lock system.
- Hinged opening body for easy cleaning of lenses.
- Multiple/integrated accessory and filter mounting slots – to carry colour filter 50mm round, one of which can be up to 4mm thick..
- Engineered from precision aluminium pressure die-castings and injection moulded engineering plastic.
- Five year limited warranty.

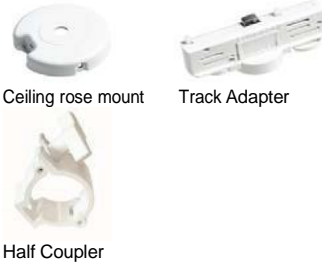
Colours



White - PANTONE® 11-4800 - Blanc de Blanc.

Mounting options

- Universal track three circuit track adapter, Eutrac and Global. DALI Track Options.
- Ceiling rose mount, ridged 80mm diameter x 20mm deep.
- Half Coupler for 50mm OD pipe, 1.0m cable tail, with or without ANZ plug.



Control Options

- Local Dimming – non dimmed mains supply.
- Dali Dimming – non dimmed mains supply.
- Casambi Dimming Control.
- Mains Dimmable-Leading & Trailing edge.
- Dimming performance of LED Sources can vary greatly on different dimming systems. 100% compatibility cannot be guaranteed.

Wattage / Power Supply

13W / 220-240V

Colour Temperature / Life¹

Choice of 2700K, 3000K, or 4000K / 50,000hrs

CRI² / Colour Consistency

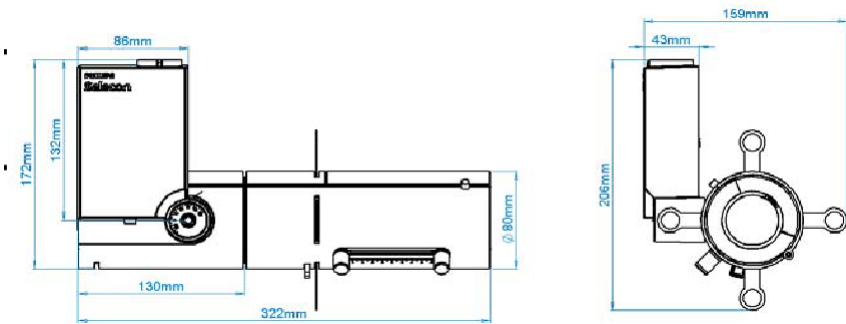
98 typical, Within 2-Step MacAdam Ellipse

Approvals



Physical Data

Weight: 1.95 kg



Order Codes

2 – 2700K
3 – 3000K
4 – 4000K

Family Name	Light Source	Colour Temp	Beam Angle	Control Option	Mounting Option	Paint Finish	Aust/NZ Plug
ACNT	LED	2	BS	DD*	H	01	P
		3		LD	C	03	
		4		MD	T		
				CA	G		
					E		
					F		

LD – Local Dim – non-dimmed mains input

MD-- -Mains Dimmable- Leading & trailing edge- Contact your sales representative.

DD – Dali Dim – non-dimmed mains input (not available with Ceiling Rose, Half Coupler, or Flex mount)

CA - CASAMBI Dimming Control

H – 50mm Halfcoupler and 1.0m cable

C – Ceiling Rose

G – Global track adaptor – standard option for track mount. Dali or local control

T – Eutrack adaptor – non-standard option for track mount. Dali or local control.

E – eDali Track adaptor – custom adaptor for three circuit track – for installations using Dali on standard track. Please contact your sales representative.

01 – White

03 – Black

P – Aust / NZ plug

IE: ACNTLED3BSLDG03 = Accent LED Beamshaper, 3000K, Local Dimming, Global Track Adaptor, Black Finish.

* **DALI Dimming version only available with Track adaptor Mounting (T,G,E)**

Accessories

Various glass effects and coloured glass can be used with the Accent LED Beamshaper.

Pattern size: E

Outside diameter: 37.5cm

Image area: 28mm

To achieve the best results with your pattern projection:

- always use black matt finish patterns as these reduce internal light reflections.
- for custom / text logos please ensure the design is inside the 28mm diameter area.

1. Based on LED Manufacturers IES LM-80-2008

2. LED manufacturer tolerance of +2 on CRI measurements

Selecon reserves the right to change this product specification without notice (October 2022).

Product Specification Sheet

Accent MR16 LED Beamshaper



The Selecon Accent MR16 LED Beamshaper delivers accurate shaping of the beam and precise framing, pattern / logo projection.

A sophisticated lighting instrument of timeless appearance. Utilising high quality MR16 LED lamp sources.

The Accent MR16 LED Beamshaper Module attaches directly to Accent MR16 Beamspot, reduced inventory costs with spot and framing projector in the same fitting.

The Accent MR16 LED BeamShaper delivers on Selecon's brand promise for performance (efficient optical system; high quality pattern projections); precision (accurate beam shaping; locking focus adjustments) and simplicity (intuitive operation).

Allen key lock offs and reference scales for all adjustments offers the means to effectively assure the integrity of the original lighting design.

Features

Beamshaper Module attaches directly to Accent MR16 Beamspot. Must use 24° MR16 lamp source.

High quality zoom optical system (24° - 39°).

Improved beam control and zoom adjustment.

Reference scales for pan/tilt and zoom adjustments.

Improved gobo installation and projection.

Easy mount E size pattern holder included with every luminaire.

Superior glare control and no light spill.

Four captive shaping shutters with integrated shutter lock system.

Hinged opening body for easy cleaning of lenses.

Multiple/integrated accessory and filter mounting slots – to carry colour filter 50mm round, one of which can be up to 4mm thick..

Engineered from precision aluminium pressure die-castings and injection moulded engineering plastic.

Five year limited warranty.

Colours



Black White

White - PANTONE® 11-4800 - Blanc de Blanc.

Mounting options

Universal track three circuit track adapter, Eutrac and Global. DALI Options.

Ceiling mount plate, ridged 80mm diameter x 20mm deep.

Half coupler for 50mm pipe with 1.0m cable tail with or without ANZ plug.



Ceiling rose mount Track Adapter



Half Coupler

Control Options

-Local Dimming – non dimmed mains supply.

-Casambi Dimming Control.

-Mains Dimmable-Leading & trailing edge.

-DALI Dimming-Non dimmed mains supply. Dimming performance of LED Sources can vary greatly on different dimming systems. 100% compatibility cannot be guaranteed.

Wattage / Power Supply

2-10W / 220-240V

Colour Temperature / Life¹

Choice of 2700K, 3000K, or 4000K / 40,000hrs

CRI² / Colour Consistency

97 typical, Within 2-Step MacAdam Ellipse

Approvals



Order Codes

MR - MR16 LED

LD – Local Dim – non-dimmed mains input

DD- DALI Dimming – non dimmed mains input.

MD- Mains Dimmable-Leading and trailing edge. Consult your sales representative.

CA - CASAMBI Dimming Control

H – 50mm Halfcoupler and 1.0m cable

C – Ceiling Rose

G – Global track adaptor – standard option for track mount. Local control

T – Eutrack adaptor – non-standard option for track mount. Local control.

01 – White

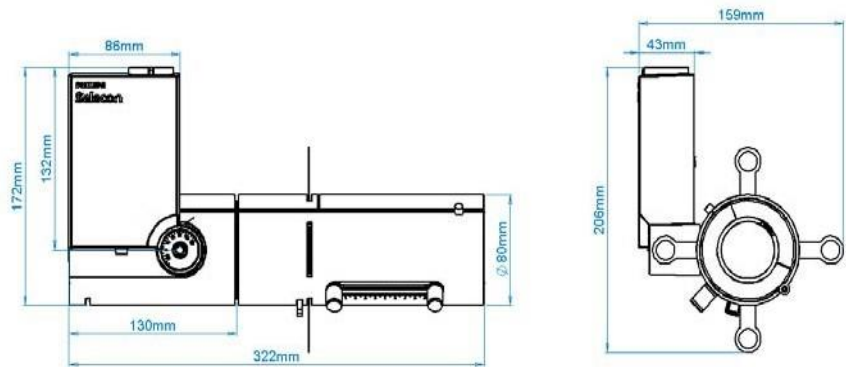
03 – Black

P – Aust / NZ plug

Family Name	Light Source	Colour Temp	Beam Angle	Control Option		Mounting Option	Paint Finish	Aust/NZ Plug
ACNT	MR16	LED	BS	LD		H	01	P
				CA		C	03	
				MD		T		
				DD		G		

IE: ACNTMRLEDBSLDG03 = Accent MR16 LED Beamshaper, Local Dimming, Global Track Adaptor, Black Finish. Lamp supplied with Beamshaper.

Physical Data



Weight 1.95kg.

Accessories

Various glass effects and coloured glass can be used with the Accent LED

Beamshaper. Please contact your Selecon dealer for full details.

Pattern size: E

Outside diameter: 37.5cm

Image area: 28mm

To achieve the best results with your pattern projection:

- always use black matt finish patterns as these reduce internal light reflections.
- for custom / text logos please ensure the design is inside the 28mm diameter area.

1. Based on LED Manufacturers IES LM-80-2008

2. LED manufacturer tolerance of +2 on CRI measurements

Selecon reserves the right to change this product specification without notice (October 2022).